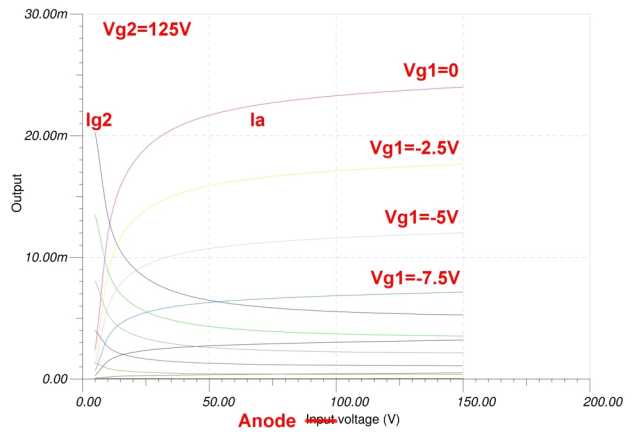
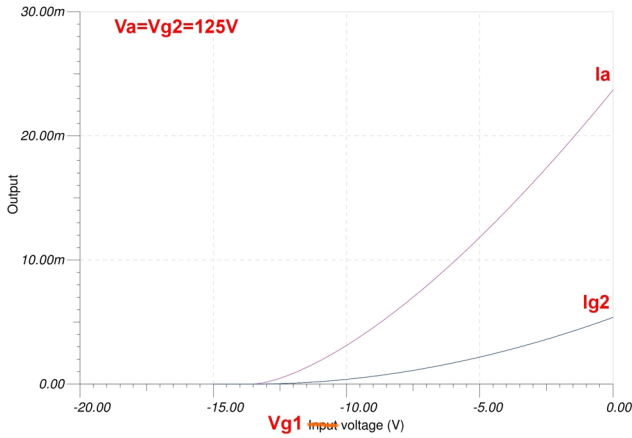
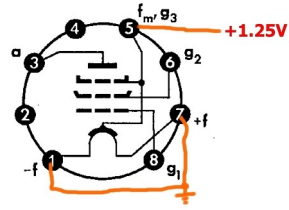
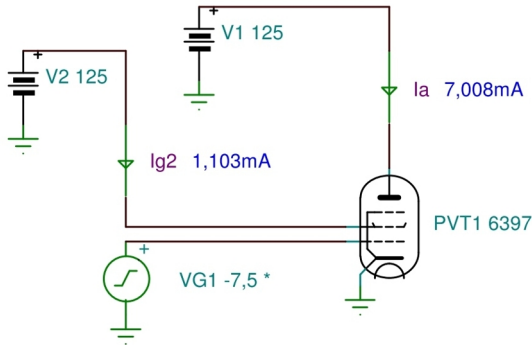


6397 Subminiature VHF RF Pentode Macro Model

DC Characteristics:



RF Power Amplifier:

