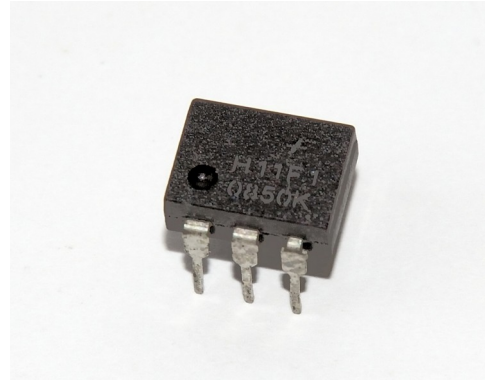
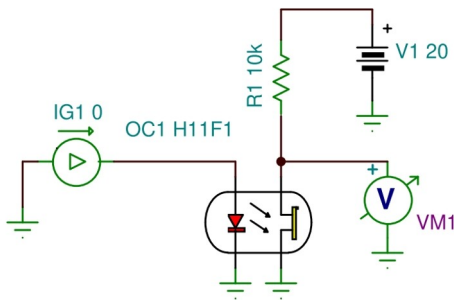
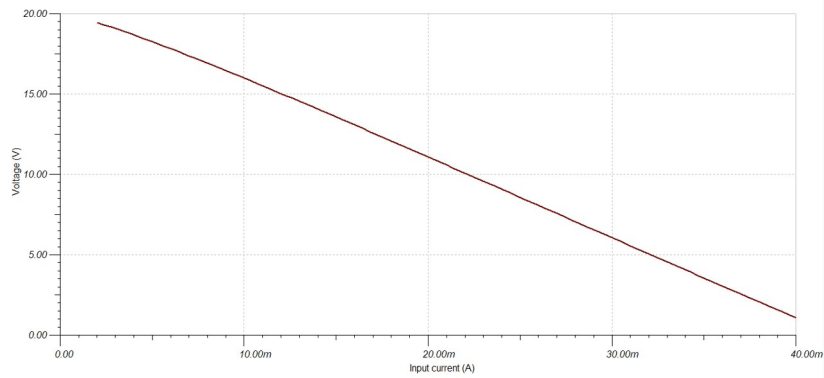


Photo FET Optocoupler Macro Model

DC Characteristics:



Transfer Characteristics:



Output Characteristics:

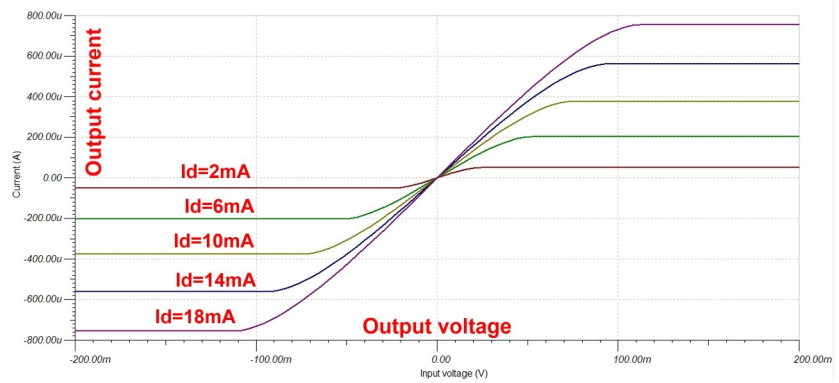
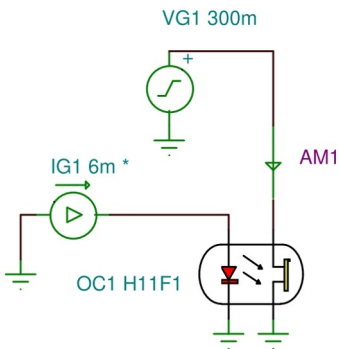
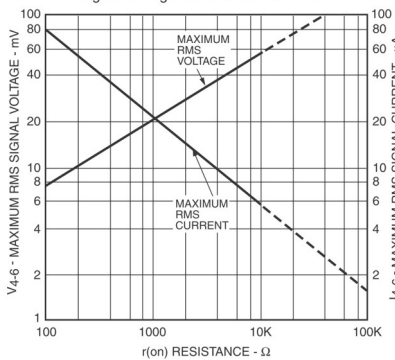


Figure 6. Region of Linear Resistance



The region of linear resistance is very small. It doesn't act like a resistor at greater drain voltages but like a current controlled (bipolar) current source.