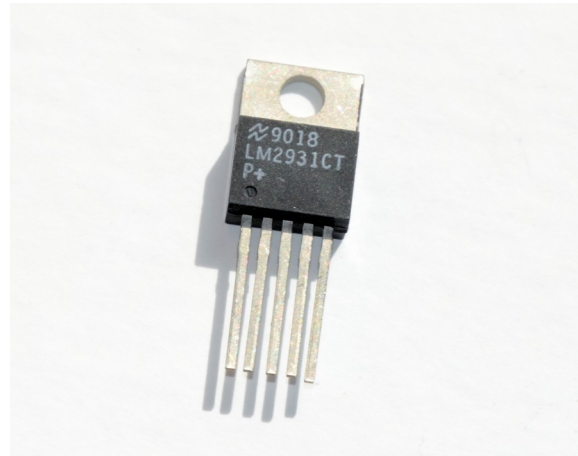
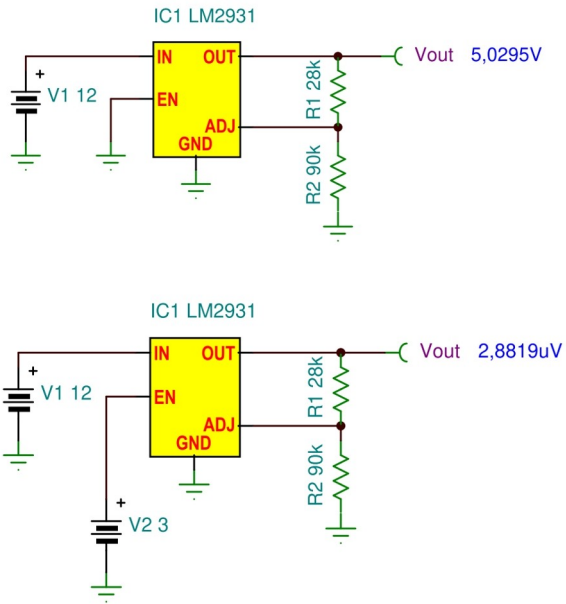
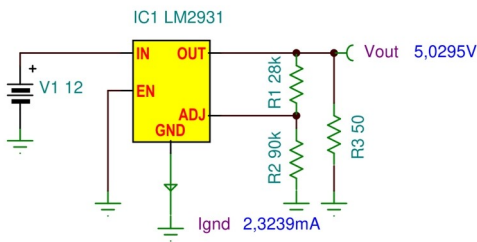


# LM2931CT Low Dropout Regulator Macro Model

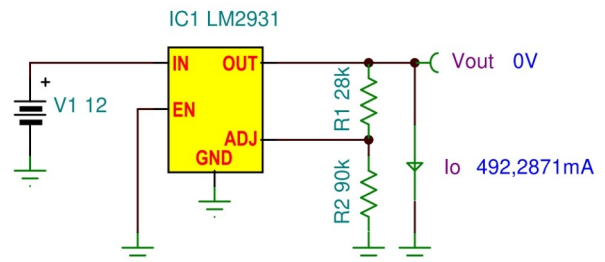
## Typical Applications



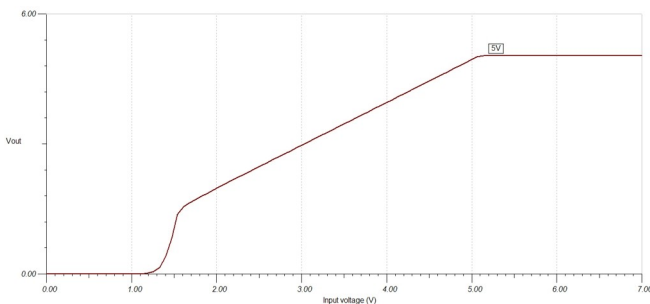
## Quiescent Current



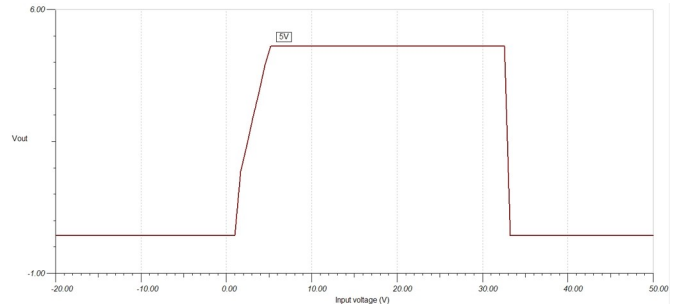
## Peak Output Current



## Low Voltage Behavior



## Output at Voltage Extremes



## 12V Regulator

