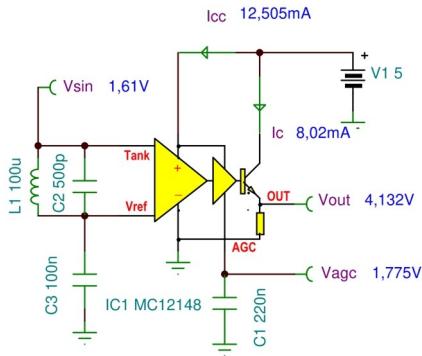
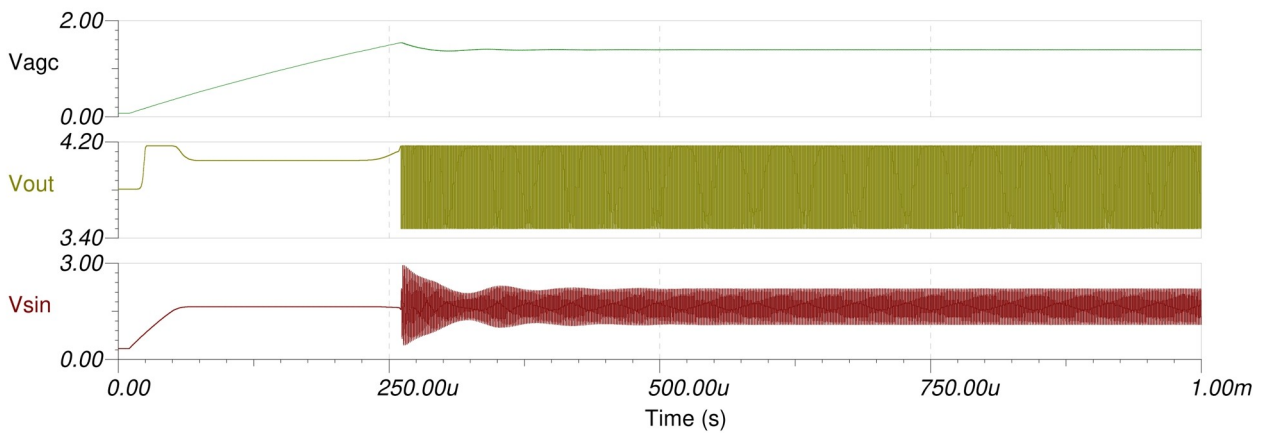


MC12148 Voltage Controlled Oscillator Macro Model

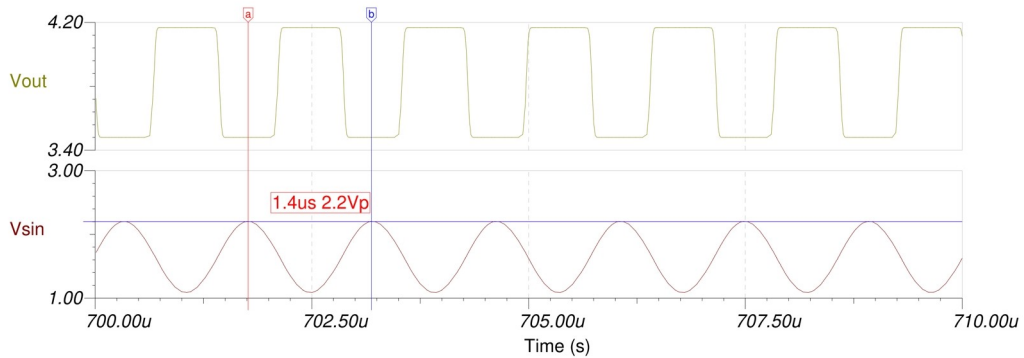
DC Characteristics



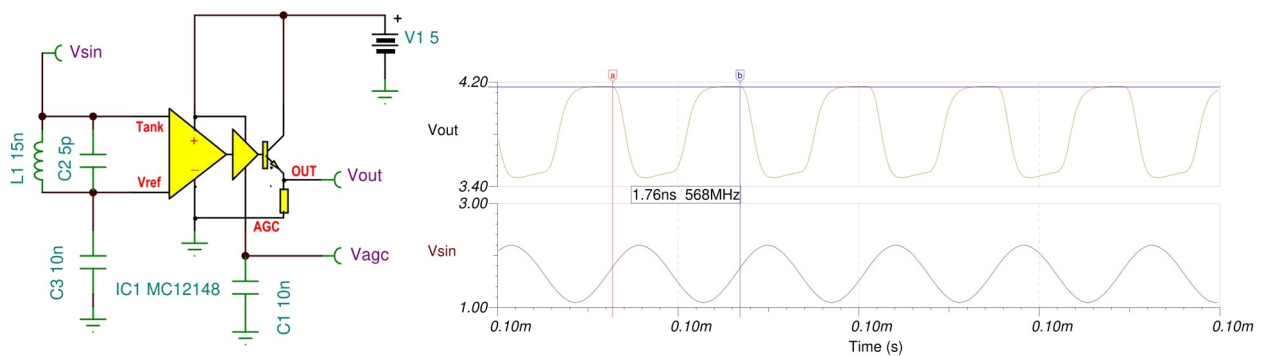
Start-up Period



LC Oscillator



500 MHz Oscillator



Electronic Amplified Signal

